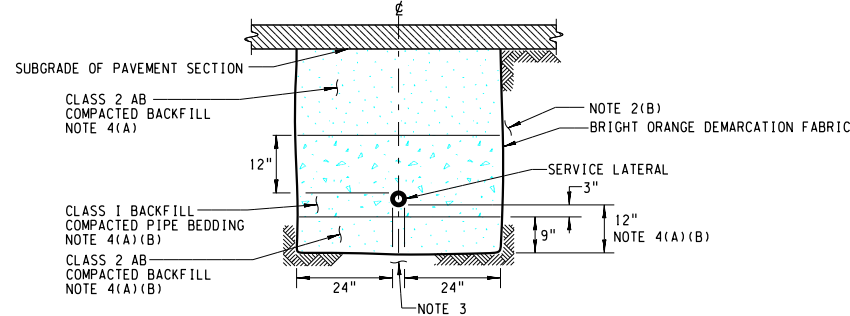


**TRENCH SECTION FOR PIPE INSTALLATION**  
**WATER MAINS 20 INCHES OR SMALLER, HYDRANTS,**  
**AND SERVICES LATERALS 3 INCHES OR GREATER**



**TRENCH SECTION FOR LATERALS INSTALLATION**  
**DOMESTIC SERVICE LATERALS LESS THAN 3 INCHES,**  
**AND ANY APPURTENANCES**

**NOTES**

INTENTION OF CLEAN UTILITY CORRIDOR: PROTECT DISTRICT WORKERS HEALTH AND SAFETY FROM EXPOSURE TO CONTAMINATED MATERIALS DURING INSTALLATIONS, MAINTENANCE, AND EMERGENCY MAIN BREAK REPAIRS.

1. CONFORM TO ALL SAFETY STANDARDS, ORDERS, RULES AND REGULATIONS OF CAL-OSHA AND OTHER AGENCIES HAVING JURISDICTION.

2. FOR CONTAMINATES OF CONCERN (COC):

(A) CONFIRMATION TESTING IN UNCHARACTERIZED AREAS FOR WATER MAINS 20 INCHES AND SMALLER:

APPLICANT SHALL COLLECT SOIL AND GROUNDWATER SAMPLES FOR THE COC AT A FREQUENCY OF ONE SAMPLE EVERY 15 FEET ALONG THE PROPOSED UTILITY ALIGNMENT(S). APPLICANT SHALL COLLECT THE SOIL SAMPLES ALONG THE SIDE WALLS AND FLOOR OF THE UTILITY TRENCH, AND GROUNDWATER SAMPLES WHERE GROUNDWATER IS ENCOUNTERED. COMPOSITING OF SIDE WALL AND FLOOR SOIL SAMPLES AND/OR ANY CHANGES TO SAMPLE FREQUENCY REQUIRES DISTRICT APPROVAL.

(B) CONFIRMATION TESTING IN UNCHARACTERIZED AREAS FOR SERVICES:

APPLICANT SHALL COLLECT AT A MINIMUM OF TWO SAMPLES FOR EACH OF THE MAIN SERVICE LATERALS, HYDRANT LATERALS, FIRE SERVICE LATERALS, AND ANY APPURTENANCES.

3. IF THERE IS ANY NEED TO STABILIZE THE BOTTOM OF THE TRENCH DUE TO GROUND WATER, WORK MUST BE DONE BELOW THE 24" (30" FOR BELL HOLES AND 12" FOR SERVICES LESS THAN 3" IN DIAMETER) OVER EXCAVATION LEVEL AND BEFORE THE INSTALLATION OF THE DEMARCATION FABRIC.

4. (A) FOR COMPACTION REQUIREMENTS, SEE SPECIFICATIONS.

(B) THE APPLICANT'S GEOTECHNICAL ENGINEER SHALL TEST THE COMPACTION OF THE 21" (27" FOR BELL HOLES AND 9" FOR SERVICES LESS THAN 3" IN DIAMETER) OF IMPORTED MATERIALS THAT WILL BE INSTALLED UNDER THE MAINS, HYDRANT RUNS, ANY APPURTENANCES, AND SERVICES BEFORE THE PIPE IS INSTALLED.

5. WARNING/IDENTIFICATION TAPE SHALL BE INSTALLED ABOVE THE PIPE AS SPECIFIED AND RUN CONTINUOUSLY ALONG THE ENTIRE LENGTH OF THE PIPELINE.

6. TO PROTECT DISTRICT WORKERS UTILITY CORRIDORS SHALL INCLUDE BARRIERS SUCH AS:

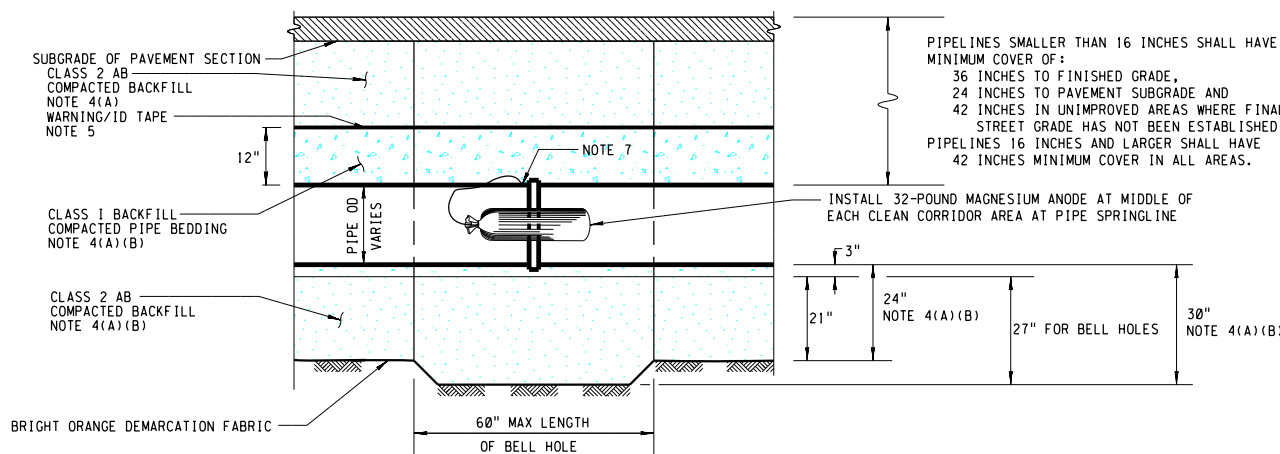
(A) PERMANENT DEMARCATION FABRIC (MIRAFI OR EQUIVALENT) OVER CONTAMINATED SOIL TO PREVENT WORKER CONTACT WITH SOIL. AT A MINIMUM, BRIGHT ORANGE DEMARCATION FABRIC SHALL BE INSTALLED ON ALL TRENCH FLOORS AND SIDEWALLS DURING PIPE INSTALLATIONS AND DURING BACKFILL.

(B) 10-20 MIL PLASTIC OVER SOIL CONTAMINATED WITH VOLATILE ORGANIC COMPOUNDS (VOCs) TO PREVENT WORKER EXPOSURE TO CONTAMINANTS. THIS MAY BE TEMPORARY.

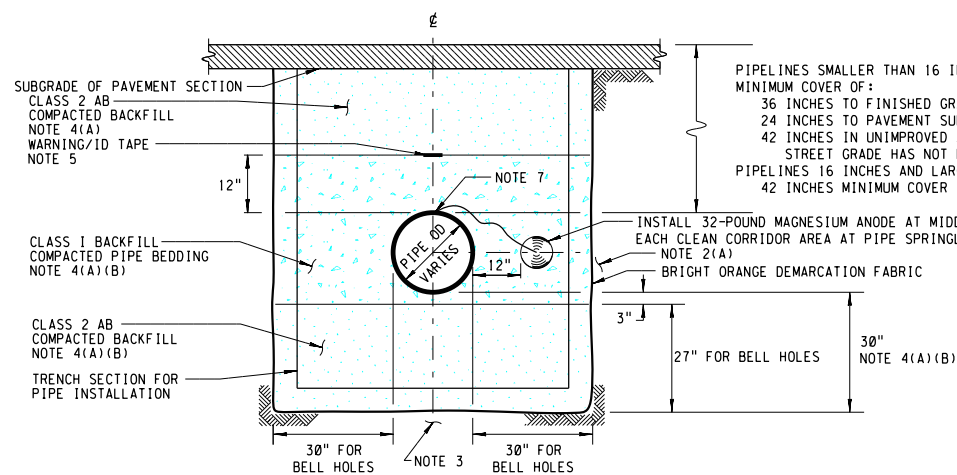
(C) OTHER BEST MANAGEMENT PRACTICES AS REQUIRED.

7. FOR CONNECTION DETAILS SEE STANDARD DWG 286-EA.

8. IF RECOGNIZED ENVIRONMENTAL CONDITIONS (REC) ARE ENCOUNTERED DURING THE CONSTRUCTION OF THE CUC, THE DISTRICT EXPECTS THE REC TO BE REMOVED. IF CONTAMINATION OR RECS RESULT IN ADDITIONAL REMEDIATION AND THE COLLECTION OF CONFIRMATION SAMPLES, THE DETAILS AND SAMPLE RESULTS WILL BE SHARED WITH THE DISTRICT AND DOCUMENTATION OF CONTAMINATION SUCH AS TRENCH LOGS AND ANALYTICAL DATA PACKAGES WILL BE PROVIDED TO THE DISTRICT



**BELL HOLE DETAIL**



**TRENCH SECTION FOR BELL HOLES**  
**WATER MAINS 20 INCHES OR SMALLER, HYDRANTS, AND SERVICES LATERALS 3 INCHES OR GREATER**

**CLEAN UTILITY CORRIDOR**

1" SCALE ON ORIGINAL



USER: bkolodtz  
 PLOT DATE: 08-APR-2020 09:23  
 FILE: H:\general\std-dwg\std\8\clean\_utility\_corr\cor.dgn

NO.	DATE	REVISION	BY	REC.	APP.

DESIGNED BY	EAST BAY MUNICIPAL UTILITY DISTRICT OAKLAND, CALIFORNIA
DESIGN CHECKED BY	
DRAWN BY BK	
<b>STANDARD DRAWING</b>	
CLEAN UTILITY CORRIDOR	
RECOMMENDED SR. CIVIL ENGINEER R.P.E. NO. C 616	STRUCTURE OR ZONE DESIGNATION
APPROVED MGR PIPELINE INFRASTRUCTURE R.P.E. NO. C 51178	SCALE NONE
	DATE
XXXXX	

PRELIMINARY